

**ecostore**  
**2 Doors Digital Freezer, 1430lt**  
**(-22/-15), AISI 304 - Remote**

ITEM # \_\_\_\_\_

MODEL # \_\_\_\_\_

NAME # \_\_\_\_\_

SIS # \_\_\_\_\_

AIA # \_\_\_\_\_


**725327 (REX142FFR)**

 2-door Freezer  
 1430lt, -22-15°C, digital, AISI  
 304, remote

### Short Form Specification

**Item No.** \_\_\_\_\_

Two full doors freezer with internal and external structure in 304 AISI stainless steel; external back panel in galvanized steel and bottom panel in anti-corrosive material. Digital control with cabinet temperature display and setting and manual activation of defrost cycle. Fully compliant HACCP digital controls include visible alarms. Optimized back to front forced air flow provides even temperature distribution and fast cooling in any conditions. Fitted with 75 mm-thick cyclopentane insulating foam. Door features lock and door microswitch to switch off the fan when the door is opened. Hidden evaporator to guarantee higher storage capacity and less corrosion problems. Remote refrigeration unit; ventilated operation; automatic defrost and evaporation of defrost water. Dual operating temperature: -22/-15°C. Integrated RS485 port to facilitate connection to a remote computer and integrated HACCP systems.

### Main Features

- Large storage area suitable to contain 2/1 GN grids or shelves on anti-tilt runners.
- Optimized back to front forced air flow provide even temperature distribution and fast cooling in any conditions.
- Automatic defrost.
- Internal structure with numerous charging positions available to host grids, ensuring higher net capacity and a greater storage space.
- Cabinet fitted with up to 75 mm thickness of cyclopentane insulation for best insulating performance with 100% environmental protection (thermal conductivity: 0,020 W/m\* K).
- 60 mm-thick insulation covering the evaporator can be easily removed with a single operation.
- Rilsan coated grids for improved protection.
- Hidden evaporator thus guaranteeing higher storage capacity and less corrosion problems.
- Freezer model has operating temperatures that can be adjusted from -22 to -15 °C.
- Connectivity ready for real time access to connected appliances from remote and data monitoring (requires optional accessory).
- Right hinged full door.
- Equipped with single phase electrical cable and Schuko plug for easy and fast installation.
- Integrated RS485 port to facilitate connection to a remote computer and integrated HACCP systems.
- Easy serviceability thanks to the intuitive control panel with access via app.
- Large digital white-digit display with cabinet temperature display and setting, activation of turbo frost cycle (to rapidly cool warm loads) and possibility to activate manually the defrost cycle.
- Tropicalized unit.

### Construction

- Constructed from the highest quality AISI 304 Stainless steel.
- Stainless steel runners and supports easily disassembled.
- Anti-corrosion bottom avoids any damage that may be caused to the cabinet by aggressive detergents employed to clean the floors.
- Easy access to the main components for maintenance.
- Lockable door.
- Mounted on adjustable Stainless steel feet,

**APPROVAL:** \_\_\_\_\_

with castors as an option.

- Doors are self-closing and can be fully opened up to 180°.
- The rounded internal corners, the easily removable runners and grids allow for ease of cleaning and high hygiene standards.

### Sustainability



- Door switch stops the fan when door is opened to avoid cold air exiting the cell, thus saving energy.
- Removable triple-chamber balloon magnetic gasket to improve insulation and reduce energy consumption and ease of cleaning.
- Automatic evaporation of the defrosting water by hot gas on the top for energy saving.

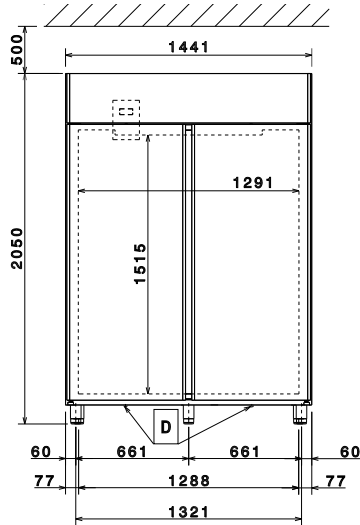
### Included Accessories

- 6 of 2/1GN grey rilsan grid with 2 runners PNC 881020

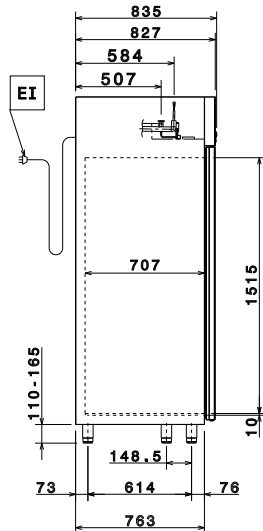
### Optional Accessories

- Remote unit -22-15°C for 1430lt refrigerated cabinets PNC 880233
- 2 stainless steel runners for refrigerated cabinets - (Marine) PNC 880242
- Set of 8 GN1/1 PVC containers for fish PNC 880243
- Spacer for 670 lt and 1430 lt refrigerated cabinets PNC 880248
- Kit 20 pair runners and tray supports to fit pastry trays (400x600mm) PNC 880333
- Kit remote alarm PNC 880570
- Ethernet connectivity kit IJF for Refrigeration PNC 880685
- 1/1GN plastic container with false bottom PNC 880705
- 2/1GN grey rilsan grid PNC 881004
- 2/1GN aisi 304 stainless steel grid PNC 881016
- 2/1GN 304 AISI stainless steel grid with 2 runners PNC 881018
- 2/1GN grey rilsan grid with 2 runners PNC 881020
- Set of 2 stainless steel runners for 670/1430lt refrigerators and freezers PNC 881021
- Pedal opening for 1430lt refrigerator PNC 881033
- 2/1GN pvc container with lid and 2 runners PNC 881039
- 2/1GN perforated shelf PNC 881042
- 1/1GN rilsan steel wire basket h=150mm PNC 881043
- 3 grey rilsan central grids for 1430lt (not for glass door) PNC 881044
- 2/1GN grey rilsan basket+2 runners h=150mm PNC 881047
- 5 swivelling wheels (2 with brake), diam 125mm, for 1430 lt refrigerators, NOT for remote models PNC 881294

Front

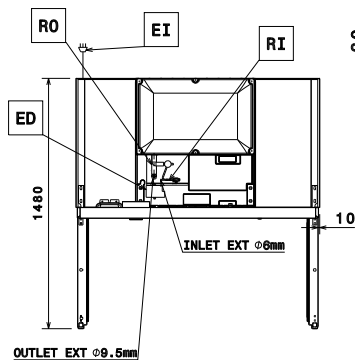


Side



EI = Electrical inlet (power)  
RI = Refrigerant Inlet  
RO = Refrigerant Outlet

Top



### Electric

Supply voltage:  
725327 (REX142FFR) 220-240 V/1 ph/50/60 Hz  
Electrical power max.: 0.21 kW

### Capacity:

Number and type of grids (included): 6 - GN 2/1

### Key Information:

Gross capacity: 1430 lt  
Door hinges: 1 Left+1 Right  
External dimensions, Width: 1441 mm  
External dimensions, Depth: 835 mm  
External dimensions, Depth with Doors Open: 1480 mm  
External dimensions, Height: 2050 mm  
Number and type of doors: 2 Full  
Type of external material: 304 AISI  
Type of internal material: 304 AISI  
Internal panels material: 304 AISI  
Number of positions & pitch: 44; 30 mm

### Refrigeration Data

Control type: Digital  
Refrigeration type: R404A;R452A  
Suggested refrigeration power: 965 W  
Condition at evaporation temperature: -30 °C  
Condition at condensation temperature: 55 °C  
Condition at ambient temperature: 32 °C  
Connection pipes (remote) - outlet: 9.5 mm  
Connection pipes (remote) - inlet: 6 mm  
Ref. Power calculated at a linear distance of 15 mt (piping)

\*Note:

### ISO Certificates

ISO Standards: ISO 9001; ISO 14001; ISO 45001; ISO 50001